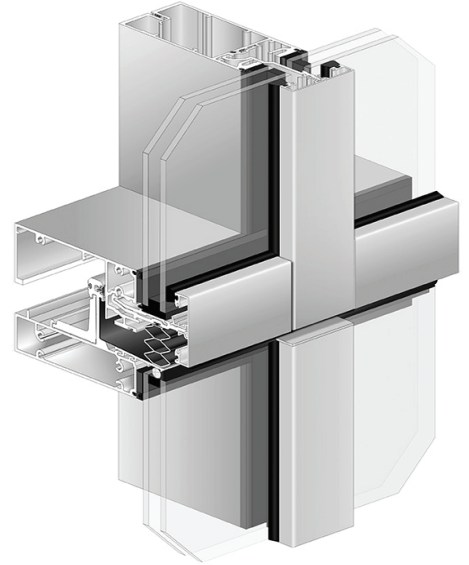


2500 UT Unitwall® System

Kawneer’s commitment to social and environmental responsibility is rooted in high performing, sustainable solutions that extend beyond energy efficiency to elements like daylighting, acoustical efficiency, recyclability, occupant security and occupant comfort.

Our extrusions use a minimum of 40% recycled content achieved through a combination of pre- and post-consumer recycled content. We also have Environmental Product Declarations (EPDs) that when coupled with this Material Transparency Summary (MTS) gives a full sustainable product overview. Sustainability information on this product as well as our entire portfolio can be found on the [Sustainability page at www.kawneer.com](http://www.kawneer.com)



Material Inventory

The material inventory below discloses the known ingredients within this product at a concentration level of 100 PPM (0.01%) and higher, the Chemical Abstract Services Registration Number (CAS#), role and percent by weight within the product. This inventory list meets the guidelines for **LEED v4 MR Credit: Building Disclosure and Optimization – Material Ingredients – Option 1** and **LBC Materials Petal I10-2 Supporting Data and has no LBC Red List materials**.* This product is manufactured at one of our five North American locations: Bloomsburg, PA; Cranberry, PA; Lethbridge, Canada; Springdale, AR and Visalia, CA.

Role	Complex Material	Raw Material	CAS#	Percent by Weight		
Frame	Anodized Aluminum	Aluminum	7429-90-5	85-95		
Thermal & Weathering	Nylon 6/6 Compound	Polyamide	25038-54-4	3-8		
		Glass, Oxide, Chemicals	65997-17-3	1-4		
		Zinc Sulfide	1314-98-3	<0.15		
		Santoprene/PP Compound	Ethylene Propylene Diene Terpolymer	25038-36-2	<1.5	
	Silicone		Polypropylene	9003-07-0	<0.5	
			White Oil	8042-47-5	<0.5	
			Hydrated Magnesium Silicate	14807-96-69	<0.5	
			Methylvinylpolysiloxane Silicone Gum Mixture	68083-18-1	<1.0	
			Quartz-US Silica	14808-60-7	<0.5	
			Treated Fumed Silica	68583-49-3	<0.3	
			Dicumyl Peroxide	80-43-3	<0.02	
			Calcium Oxide	1305-78-8	<0.02	
			ABS Compound	Acrylonitrile Butadiene Styrene	9003-56-9	<1.0
				Carbon Black	1333-86-4	<0.02
ASA Compound	Acrylonitrile-Styrene-Acrylate Copolymer	26299-47-8	<0.1			
	Polypropylene	9010-79-1	<0.01			
Fasteners	Stainless Steel	Stainless Steel	12597-68-1	<1.0		

* For standard anodized configurations and may not comply with all configurations, finishes or custom products.